

## GC20 Semi-Flush Recess Latch With Water Sealing

### Features

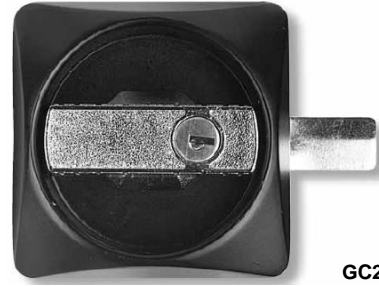
- Robust, one-piece latch, very easily fitted. Looks good on machinery enclosures, cabinets and inspection panels, providing highly cost-effective alternative to plant-on handles or other flush-latch systems
- Low profile, deep recess for finger-tip action, water-sealed, with concealed fixing. Latch bar accepts rods for 3-way action
- Handle operates latch bar with cam-form allowing 4mm take-up against seals
- Rotation 90°, latch bar can be fixed in-line or at 90° to handle. Totally symmetrical, non-handed

### Material

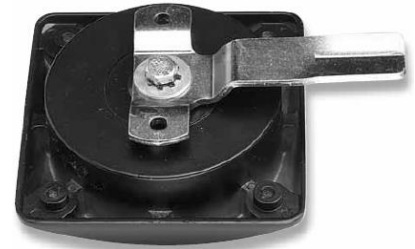
- Handle: Zinc die cast, bright chromium plated
- Base: Zinc die cast, black powder coated handle
- Latch bar: Steel, zinc plated

### Notes

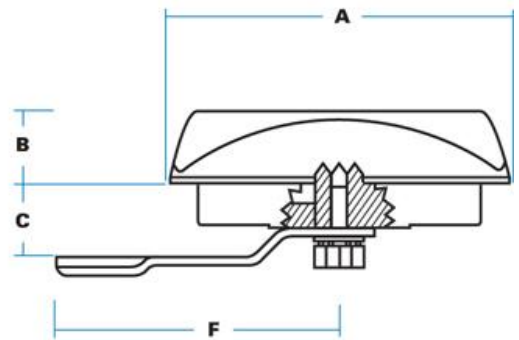
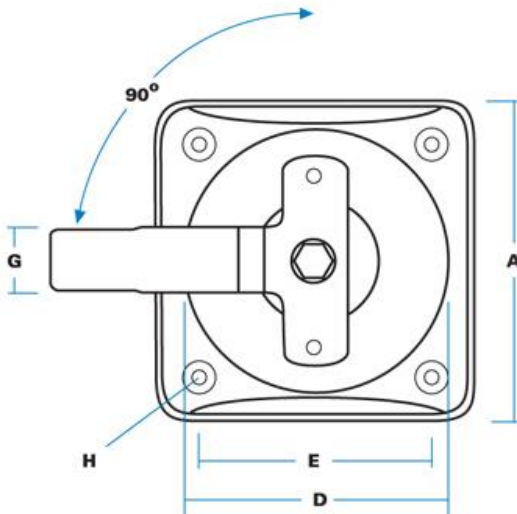
- Fits through 83 mm diameter aperture. Secured by screws into 4-off tapped bosses.



GC20-G01840



View of underside showing circular form & tapped bosses



Part No.	Locking	Key	A	B	C	D	E	F	G	H
GC20-G01840	Yes	Standard	98	20	22.5	82	72	82	20	M5 x 10 mm
GC20-G01840-1		FS880								
GC20-G01841	No	-								